

# MERLIN<sup>®</sup>

## LED MACHINE FIT OUT



Catalogue 2015

Merlin Equipment Pte Ltd

Tele: +65 6863 1753 Email: [info@merlinequip.com](mailto:info@merlinequip.com)



### 1 MLSP-50-20

102mm Square  
Medium LED Work  
Light

2x Front Facing (One on each side of chassis rail)



### 2 MLSP-50-40

102mm Square  
Wide LED Work Light

2x Lower Forward/Side Facing (Either side in front of blade)  
2x Top Forward Facing (Either side on front corner of cabin)  
2x Lower Forward/Side Facing (Either side directed at blade)  
2x Top Forward/Side Facing (Either side on top rear of cabin)  
2x Rear Facing (Either side facing ripper)  
2x Front Facing (One on each side of chassis rail)  
2x Lower Rear/Side Facing (Either side on engine compartment)



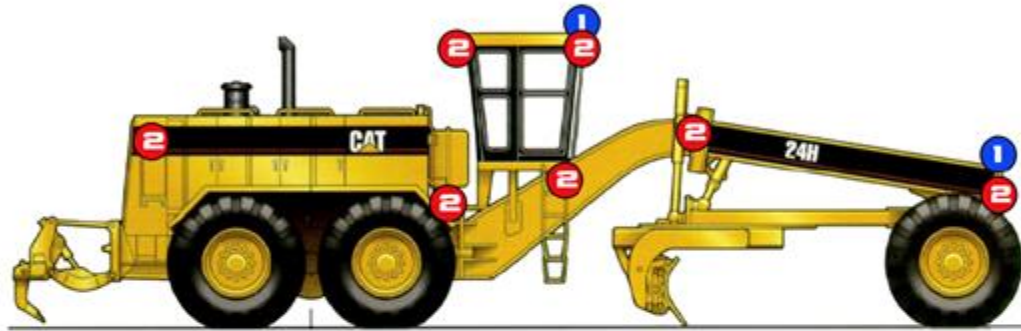
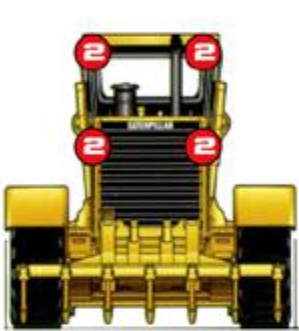
### 3 MLSP-10-40

51mm Round  
Medium LED Work  
Light

1x Left Hand Side Access Area (Top rear of cabin facing ladder)

Merlin Equipment Pte Ltd

Tele: +65 6863 1753 Email: [info@merlinequip.com](mailto:info@merlinequip.com)



1

### MLR-60-EL

120mm Square Elliptical LED Work light



2x Front Facing (One on each side of chassis rail)  
2x Front Facing (Inside Pair Overhead Cabin)

2

### MLR-60-60

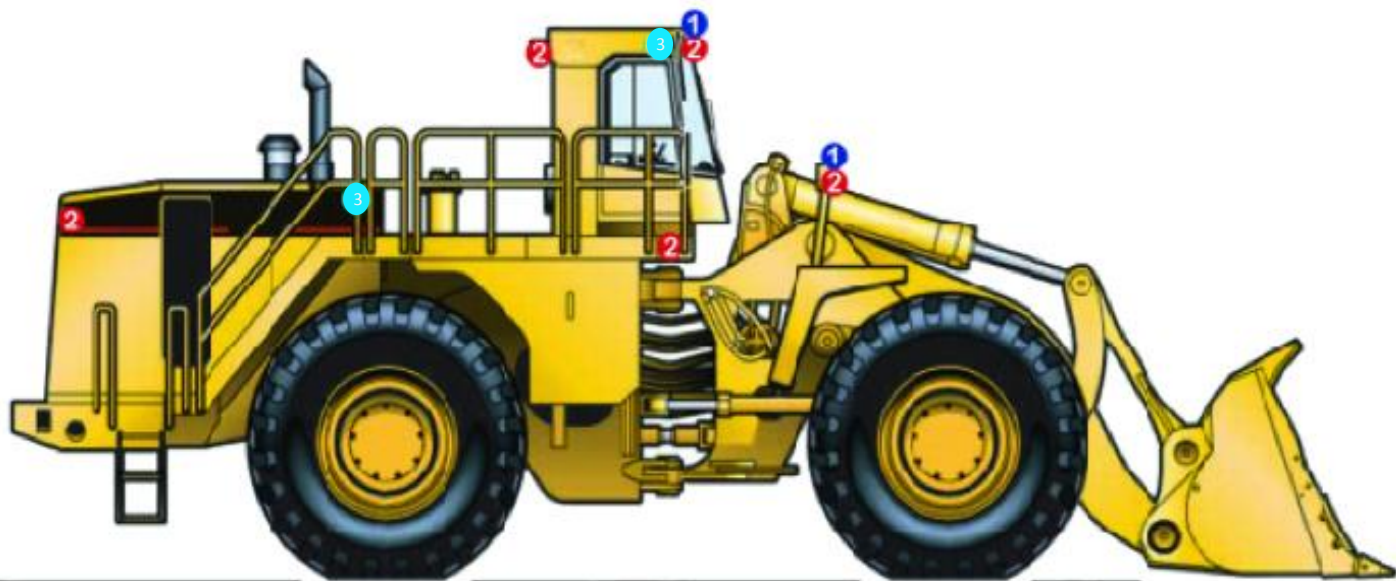
120mm Square Extra wide LED Work Light



2x Lower Forward/Side Facing (Either side in front of blade)  
2x Top Forward Facing (Outside Pair overhead cabin)  
2x Lower Forward/Side facing (Either side directed at blade)  
2x Top Forward/Side Facing (Either side on top rear of cabin)  
2x Rear Facing (Either side facing ripper)  
2x Front Facing (One on each side of chassis rail)  
2x Lower Rear/Side Facing (either side on engine compartment)

Merlin Equipment Pte Ltd

Tele: +65 6863 1753 Email: [info@merlinequip.com](mailto:info@merlinequip.com)



**1** MLSP-50-20

102mm Square  
Medium LED  
Work Light

2x Front Facing (One on each front fender mounted light box)  
2x Top Forward Side Facing (One on each front corner of cabin)



**2** MLSP-50-40

102mm Square  
Wide LED  
Work Light

2x Rear Facing (One on either side of rear of vehicle)  
2x Top Rear Facing (One on each rear corner of cabin)  
2x Top Forward Side Facing (One on each front corner of access area)  
2x Top Forward Facing (Two on each front corner of cabin)  
2x Front Facing (One on each front fender mounted light box)



**3** MLSP-10-40

51mm Round  
Wide LED  
Work Light

2x Rear Facing (Either side of cabin facing stairways)  
2x Top of stairways facing lower access areas)

Merlin Equipment Pte Ltd

Tele: +65 6863 1753 Email: [info@merlinequip.com](mailto:info@merlinequip.com)



### 1 MLSP-60-20

102mm Square  
Medium LED  
Work Light

2x Front Facing (One on each front fender mounted light box)  
2x Top Forward Side Facing (One on each front corner of cabin)



### 2 MLSP-60-40

102mm Square  
Wide LED  
Work Light

4x Front Facing (Two per front fender mounted light box)  
4x Top Forward facing (Two on each front corner of cabin)  
2x Forward Side Facing (One on each front corner of access area)  
2x Top Rear Facing (One on each rear corner of cabin)  
2x Rear Facing (One either side of rear of vehicle)



### 3 MLSP-10-40

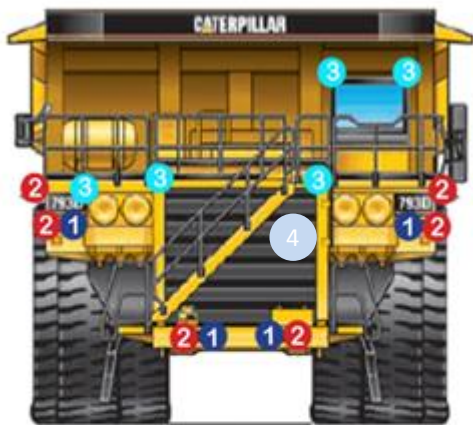
51mm Round  
Wide LED  
Work Light

2x Rear Facing (Either side on top rear of cabin facing stairways)  
2x Rear Facing (Either side of lower access are facing ladders)  
2x Transmission Area (Internal lighting for transmission area)  
4x Engine Bay (Internal lighting inside each engine bay access door)

Merlin Equipment Pte Ltd

Tele: +65 6863 1753 Email: [info@merlinequip.com](mailto:info@merlinequip.com)





4 OPTIONAL – MLNB



LED  
Number  
Board



1 MLSP-50-20

102mm Square  
Medium LED  
Work Light

2x Front Facing (One on each top side of radiator grill)  
2x Front Facing (One each side of front bumper bar)  
2x Rear Facing/Reverse Light (one either side of access area)



2 MLSP-50-40

102mm Square  
Wide LED  
Work Light

2x Front Facing (One on each corner of radiator grill)  
2x Front Facing (One on each side of front bumper bar)  
2x Forward/Side Facing (Either side of access area)  
2x Lower Rear Facing (Facing diagonally under rear of tray)



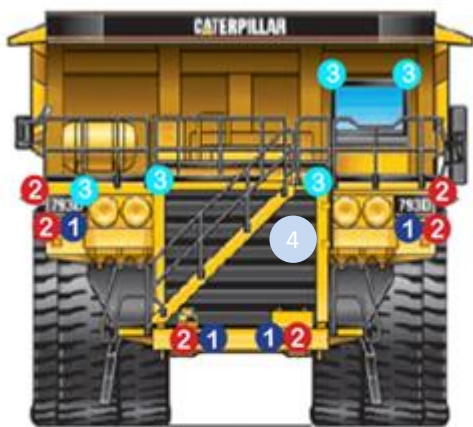
3 MLSP-10-40

51mm Round  
Wide LED  
Work Light

1x Rear Outer Corner of Operator's Cabin (Facing cabin door area)  
2x Top Corners of Radiator Grill (Facing down side stairway / ladder)  
1x Inner Side of Operator's Cabin (Facing access)  
2x Engine Compartment Area (Behind radiator)  
1x Front Corner of Operators' Cabin (Facing down main stairway)

Merlin Equipment Pte Ltd

Tele: +65 6863 1753 Email: [info@merlinequip.com](mailto:info@merlinequip.com)



4 OPTIONAL – MLNB



LED  
Number  
Board



1 MLSP-50-20

102mm Square  
Medium LED  
Work Light

2x Front Facing (One on each top side of radiator grill)  
2x Front Facing (One each side of front bumper bar)  
2x Rear Facing/Reverse Light (one either side of access area)



2 MLSP-50-40

102mm Square  
Wide LED  
Work Light

2x Front Facing (One on each corner of radiator grill)  
2x Front Facing (One on each side of front bumper bar)  
2x Forward/Side Facing (Either side of access area)  
2x Lower Rear Facing (Facing diagonally under rear of tray)



3 MLSP-10-40

51mm Round  
Wide LED  
Work Light

1x Rear Outer Corner of Operator's Cabin (Facing cabin door area)  
2x Top Corners of Radiator Grill (Facing down side stairway / ladder)  
1x Inner Side of Operator's Cabin (Facing access)  
2x Engine Compartment Area (Behind radiator)  
1x Front Corner of Operators' Cabin (Facing down main stairway)

Merlin Equipment Pte Ltd

Tele: +65 6863 1753 Email: [info@merlinequip.com](mailto:info@merlinequip.com)



**1** MLUS-35-60

120 x 100mm Rectangle  
Extra Wide LED  
Work Light

4x Front Facing (Above front of operators cabin)  
2x Rear Facing (Above rear of operations cabin)

Merlin Equipment Pte Ltd

Tele: +65 6863 1753 Email: [info@merlinequip.com](mailto:info@merlinequip.com)





**1** MLR-60-40  
120mm Square  
Wide LED  
Work Light

2x Front Facing (Inside Light Pods)

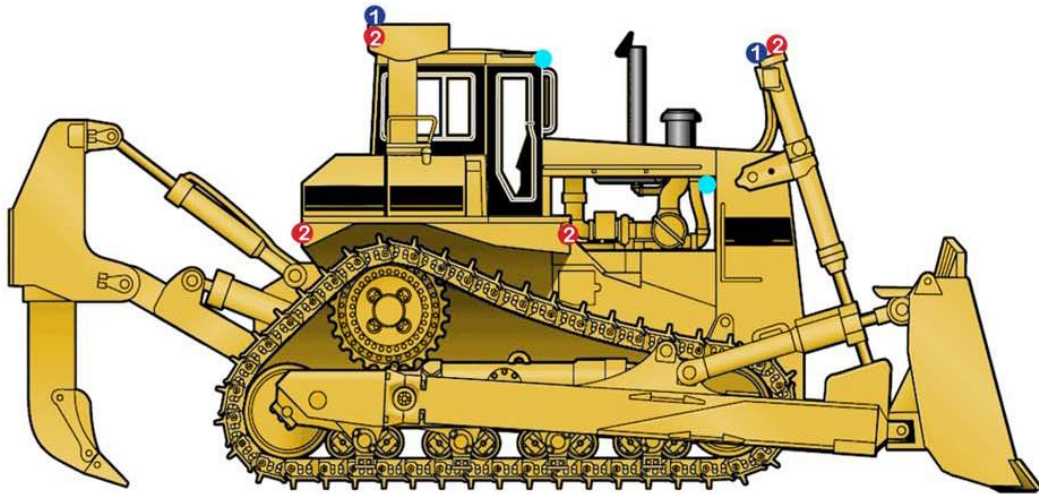
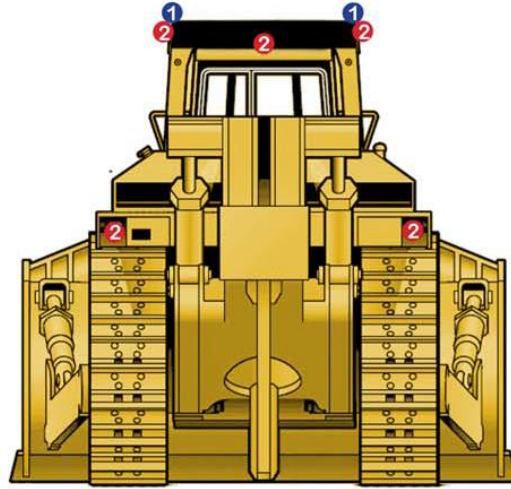


**2** MLR-60-60  
120mm Square  
Extra Wide LED  
Work Light

2x Front Facing (Outside Light Pods)  
2x Front Facing (Side Cabin Light Pods)  
2x Rear Facing (Rear Light Pods)

Merlin Equipment Pte Ltd

Tele: +65 6863 1753 Email: [info@merlinequip.com](mailto:info@merlinequip.com)



### 1 MLR-60-40

120mm Square  
Wide LED  
Work Light

2x Front Facing (One on each blade lift cylinder)  
2x Top Forward/Side Facing (Either side on top rear corner of cabin)



### 2 MLR-60-60

120mm Square  
Extra wide LED  
Work Light

2x Front Facing (One on each blade lift cylinder)  
2x Lower Forward/Side Facing (Either side above track)  
1x Rear Facing (On rear of operator's cabin)  
2x Lower Rear/Side Facing (Either side above track)  
2x Top Forward/Side Facing (Either side on top rear corner)

Merlin Equipment Pte Ltd

Tele: +65 6863 1753 Email: [info@merlinequip.com](mailto:info@merlinequip.com)

# MERLIN<sup>®</sup>

## KOMATSU D155A – 6R LED KIT



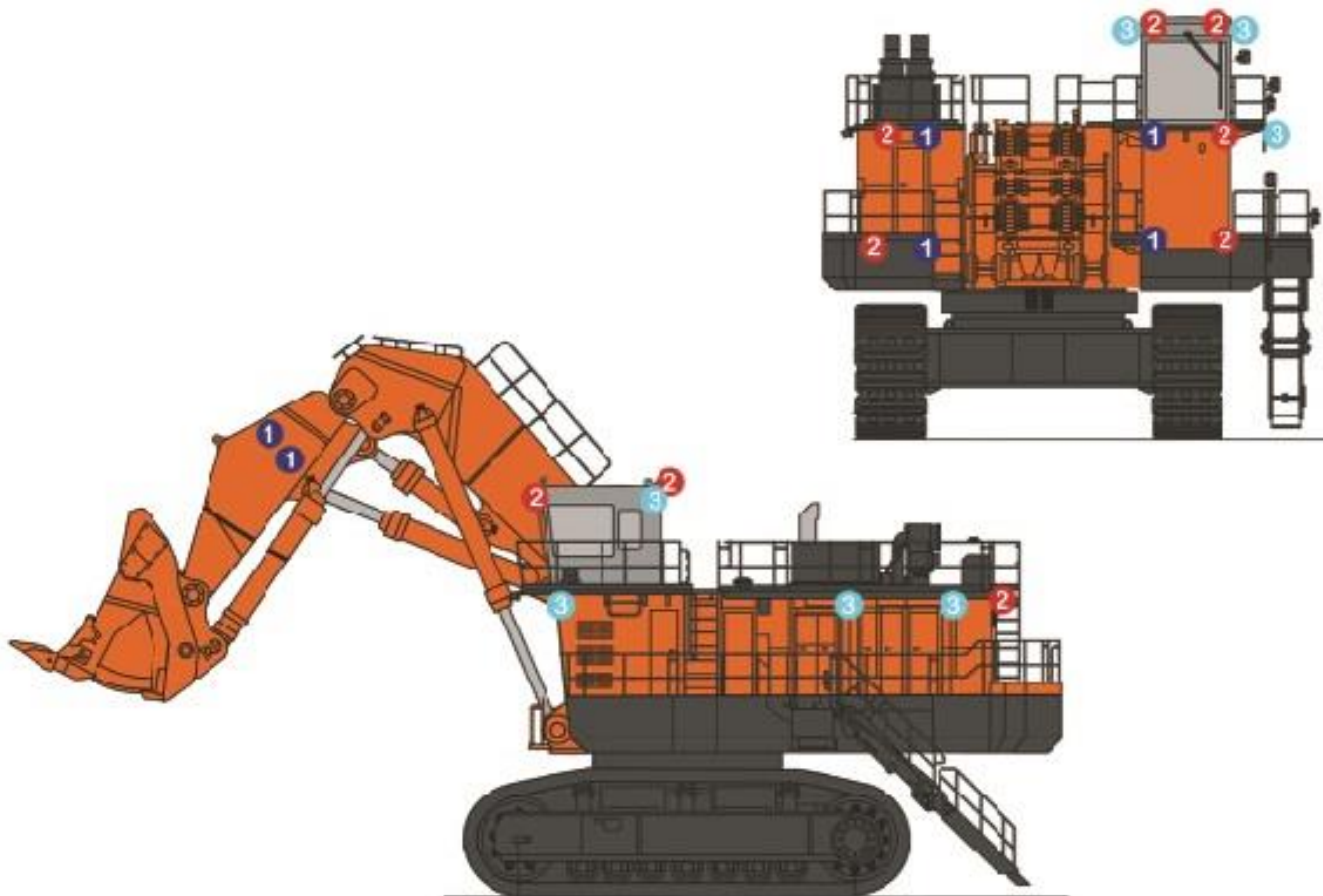
**1 MLR-60-60**

120mm Square  
Extra wide LED  
Work Light

- 2x Front Facing (Front Lights Pods)
- 2x Front Facing (Above Cabin)
- 2x Rear Facing (Above Cabin)
- 2x ¾ Rear Facing (Rear Lights Mounts)

Merlin Equipment Pte Ltd

Tele: +65 6863 1753 Email: [info@merlinequip.com](mailto:info@merlinequip.com)



**1** MLSP-50-20  
102mm Square  
Medium LED  
Work Light

- 1x Right Hand Side (Top of fuel tank)
- 1x Left Hand Side (Top of hydraulic tank)
- 1x Right Hand Side (Bottom of fuel tank)
- 1x Left Hand Side (Bottom of hydraulic tank)
- 2x Right Hand Side (Mid mounted on shovel boom)
- 2x Left Hand Side (Mid mounted on shovel boom)



**2** MLSP-50-40  
102mm Square  
Wide LED  
Work Light

- 1x Right Hand Side (Top of fuel tank)
- 1x Left Hand Side (Top of hydraulic tank)
- 2x Front Facing (Top of operator's cab)
- 2x Rear Facing (Top of operator's cab)
- 2x Rear Facing (Engine compartment)



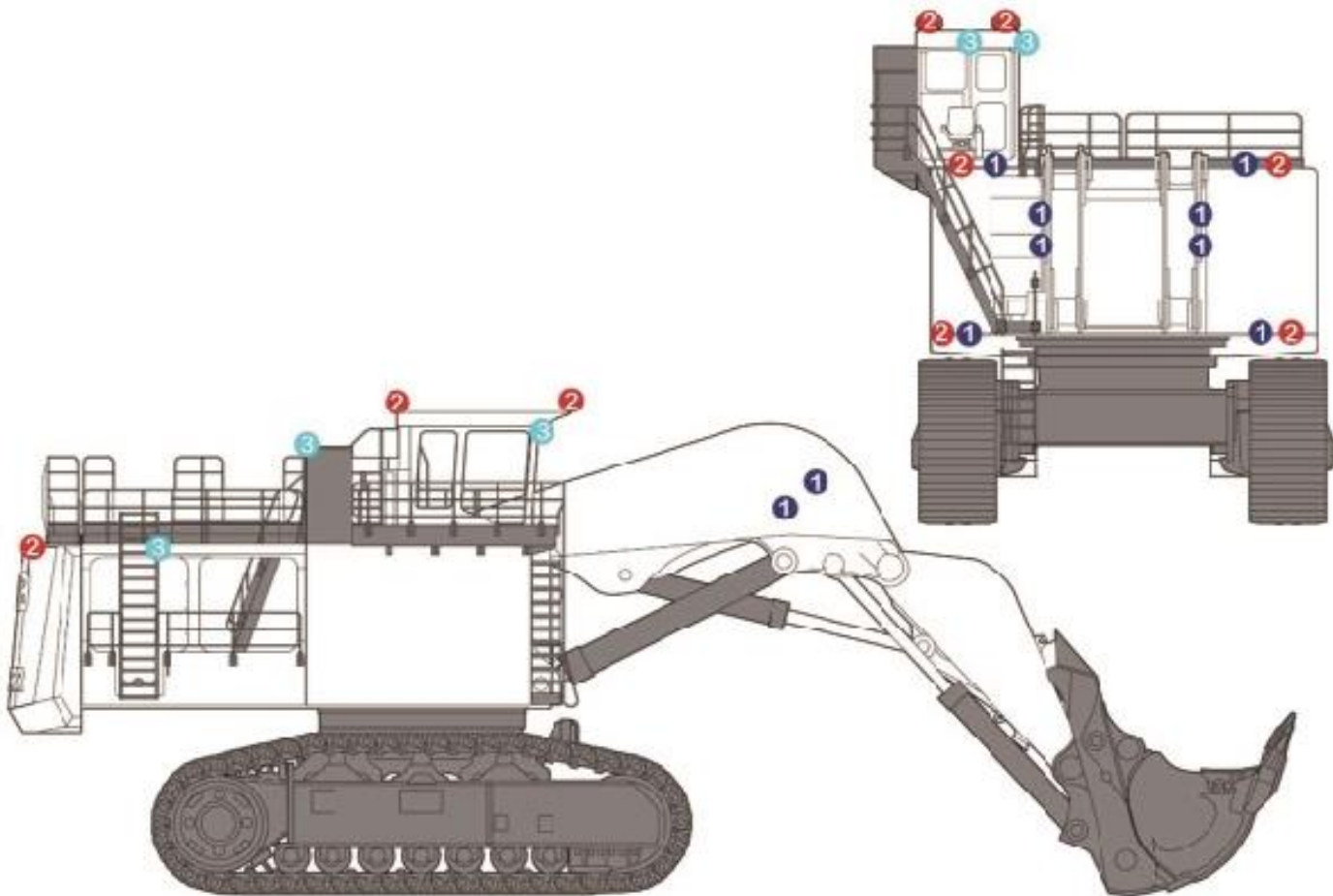
**3** MLSP-50-40  
51mm Round  
Medium LED  
Work Light

- 1x Platform Mount (Facing access ladder)
- 2x Lower Access Area (Top inside corners of walkway)
- 1x Upper Access Area (Mounted on side of operator's cabin)
- 3x Roof and Corner Mount of Operator's Cabin

Merlin Equipment Pte Ltd

Tele: +65 6863 1753 Email: [info@merlinequip.com](mailto:info@merlinequip.com)





### 1 MLSP-50-20

102mm Square  
Medium LED  
Work Light

- 1x Right Hand Side (Top of fuel tank)
- 1x Left Hand Side (Top of hydraulic tank)
- 1x Right Hand Side (Bottom of fuel tank)
- 1x Left Hand Side (Bottom of hydraulic tank)
- 2x Right Hand Side (Mid mounted on shovel boom)
- 2x Left Hand Side (Mid mounted on shovel boom)

### 2 MLSP-50-40

102mm Square  
Wide LED  
Work Light

- 1x Right Hand Side (Top of fuel tank)
- 1x Left Hand Side (Top of hydraulic tank)
- 1x Right Hand Side (Bottom of fuel tank)
- 1x Left Hand Side (Bottom of hydraulic tank)
- 2x Forward Facing (Top of operators cabin)
- 2x Rear Facing (Top of operators cabin)
- 2x Rear Facing (One on each corner of counter weight)

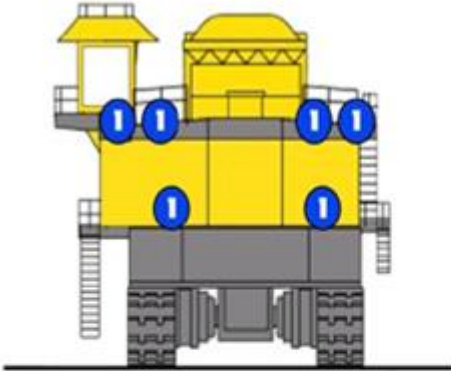
### 3 MLSP-50-40

51mm Round  
Medium LED  
Work Light

- 3x Platform Mount (Above each access ladder)
- 1x Lower Access Area (Top inside corner of hydraulic compartment)
- 1x Upper Access Area (Mounted on side of operator's cabin)
- 1x Roof and Corner Mount of Engine Compartment

Merlin Equipment Pte Ltd

Tele: +65 6863 1753 Email: [info@merlinequip.com](mailto:info@merlinequip.com)



### MLP-300-60

LED Replacement 1000W HPS

6x Front Facing (4 on factory mounts in front of top railing, 2 on factory mounts to the left and right of mast mount)

4x On Left and Right Side (2 on each side factory mounts in front of top railing)

2x One Rear (2 on rear factory mounts in front of top railings)

12x MC-300-24 (Power Supply mounted to each Light in each factory location)

Merlin Equipment Pte Ltd

Tele: +65 6863 1753 Email: [info@merlinequip.com](mailto:info@merlinequip.com)



**1** MLR-100-25  
168x120 Rectangle  
Medium LED  
Work Light

2x Facing Top Half of Mast (Rear of Cabin)



**2** MLR-100-40  
168x120 Rectangle  
Wide LED  
Work Light

1x Facing Mid-Mast (Rear of Cabin)  
2x Facing Forward (Top of Cabin)



**3** MLR-100-60  
168x120 Rectangle  
Extra Wide LED  
Work Light

1x Facing Bottom of Mast (Rear of Cabin)  
4x Corners of cabin Angled at 45°  
2x Mid-Drill Sides Pointed Towards the Ground  
2x Top of Rear Mast Support Pointed on Deck  
2x Facing Sides (Towards the grounds)

Merlin Equipment Pte Ltd

Tele: +65 6863 1753 Email: [info@merlinequip.com](mailto:info@merlinequip.com)



### 1 MLP-150-60

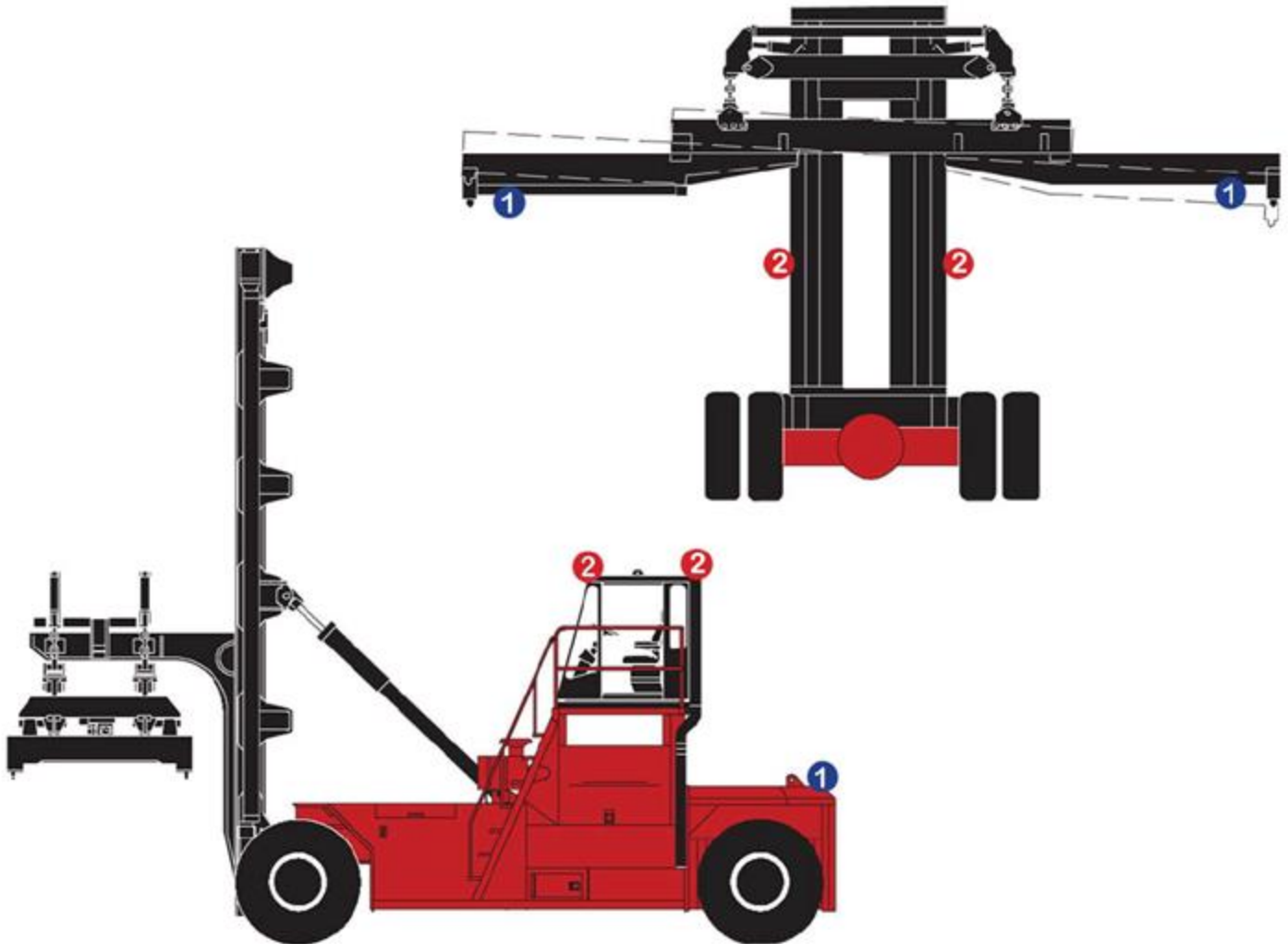
LED Replacement 400-500W HPS

- 1x Front Facing (Above Operators Cabin)
- 1x Front Facing (Opposite Side of Operators Cabin Above Railing)
- 1x Side Facing Drill Pad (Drill Pad Side of Operators Cabin)
- 1x Facing Up to Derrick (Above Operators Cabin)
- 1x Facing Rear Deck (Back of Operator Cabin)
- 2x On rear (Each Side of Spool)
- 7x MC-150-24 (Power Supply mounted to each Light in each factory location)

Merlin Equipment Pte Ltd

Tele: +65 6863 1753 Email: [info@merlinequip.com](mailto:info@merlinequip.com)





**1** MLUS-35-40

120 x 100mm Rectangle  
Wide LED  
Work Light

2x Rear Facing (Backup)  
2x Facing Inboard Twist Lock



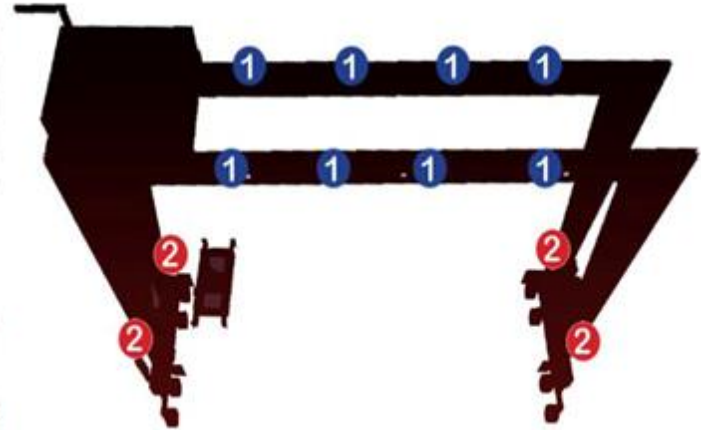
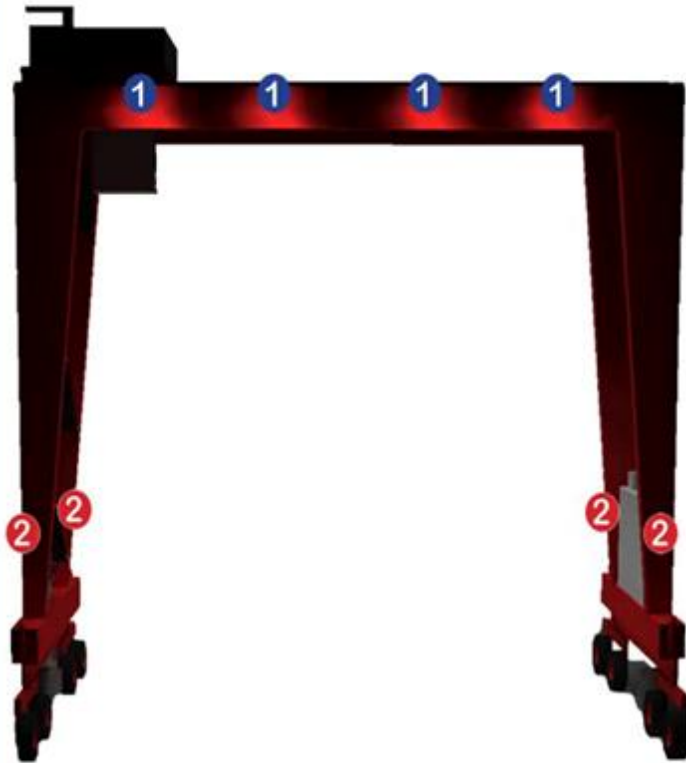
**2** MLSP-50-20

102mm Square  
Medium LED  
Work Light

4x Forward Facing  
2x Forward Facing at 45° Out Board

Merlin Equipment Pte Ltd

Tele: +65 6863 1753 Email: [info@merlinequip.com](mailto:info@merlinequip.com)



**1** MLP-300-60

300 Watt LED  
Extra Wide

4x Outside of North Arm (Aiming Straight Down)  
4x Outside of South Arm (Aiming Straight Down)  
8x MC-300 (Power Supply mounted to each Light  
in each factory location)



**2** MLP-150-60

150 Watt LED  
Extra Wide

4x One on the Outside of Each Leg (3.6m High Aiming  
Straight Down)  
4x MC-150 (Power Supply mounted to each Light in  
each factory location)

Merlin Equipment Pte Ltd

Tele: +65 6863 1753 Email: [info@merlinequip.com](mailto:info@merlinequip.com)

MERLIN EQUIPMENT PTE LTD can provide LED fit out for all equipment's

- Off Highway Trucks
- On Highway Trucks
- Excavator
- Dozer
- Motor Grader
- Rope Shovel
- Underground Trucks
- Drill Rigs
- Mobile Crane
- Ariel Work Platforms
- Utility Vehicles
- Service Vehicles
- Lighting towers

MERLIN EQUIPMENT PTE LTD provides LED fit out for facilities as well

- Facility
- Wash bay area
- Crusher area
- Conveyor belt system
- Parking lot
- Airport
- Port

MERLIN EQUIPMENT PTE LTD provides LED fit out for facilities as well

- Caterpillar
- Komatsu
- Terex
- Hitachi
- Kobelco
- John Deere
- JCB
- Volvo

Please contact us for more information's, we can provide a LED KIT for your specific applications.

**Merlin Equipment Pte Ltd**

**Tele: +65 6863 1753 Email: [info@merlinequip.com](mailto:info@merlinequip.com)**